

Residual Gas Analyzers

Residual

LEYSPEC

Products

Residual Gas Analyzers

LEYSPEC view and LEYSPEC ultra



The LEYSPEC product family offers simple and intuitive operation with an on-board control and display unit. Simple residual gas analysis is possible without even connecting the device to a computer.

Due to the intuitive interface, the Residual Gas Analyzer (RGA) is very easy to operate. At the push of a button, you can display the partial pressures of key gases and if your process involves an additional gas, you can assign it to the spare display channel. Due to the high bake-out temperatures achievable, the RGA is ideal for use in demanding high vacuum and ultra high vacuum applications.

The LEYSPEC RGA offers greatest sensitivity combined with an intuitive software that allows all basic and advanced test procedures.

Advantages to the User

- Intuitive software

The intelligent and intuitive LEYSPEC software completes the offering. The easy user interface allows a wide range of use cases, from simple operations to complex analysis. Creating recipes is as easy as it should be: Quick and convenient. During operation the total pressure is displayed and different views can be chosen to fit the view for the purpose of the analysis. Choose between the scan mode, trend mode or analog mode

- Highest Sensitivity

The LEYSPEC product family offers the highest sensitivity for the most accurate residual gas analysis. This allows detecting even the smallest traces of contaminants or process gases

- Highest bake-out

With its high bake out temperatures of up to 300°C, the LEYSPEC ultra is perfectly suited for sophisticated high and ultra high vacuum applications. The LEYSPEC ultra range offers highest bakeout temperature so even in harsh environments reliable gas analysis can be performed

- Advanced feature

Preinstalled software functions allow many additional functionalities and test procedures such as a helium leak test or setting of warnings and error levels for selectable gases. A programmable degas function is implemented for simple process degassing after start or exposure to atmosphere. The background suppression allows focussing on the important peaks

- Different product types

The new LEYSPEC range offers the perfect solution for any application in mass spectrometry. Focusing on residual gas analysis the product range offers solutions for 100, 200 or 300 amu – depending on the process requirements. All products come with the integrated display for easy and quick operations as well as the LEYSPEC software for sophisticated test procedures and residual gas analysis. Compact in size and mountable in any orientation, the LEYSPEC product range is perfectly suited for different built-in situations

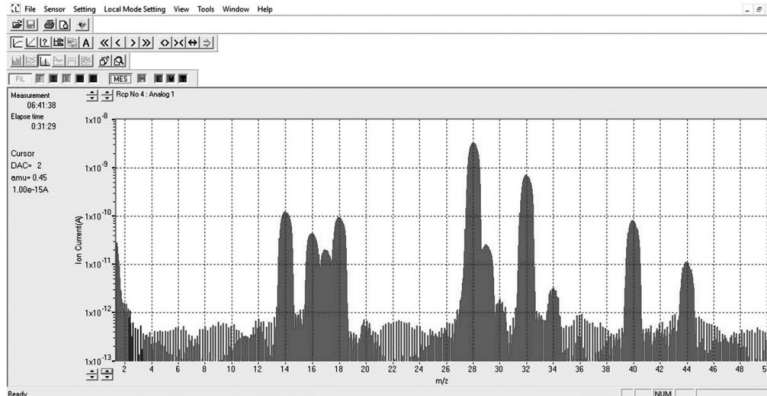
Typical Applications

LEYSPEC view

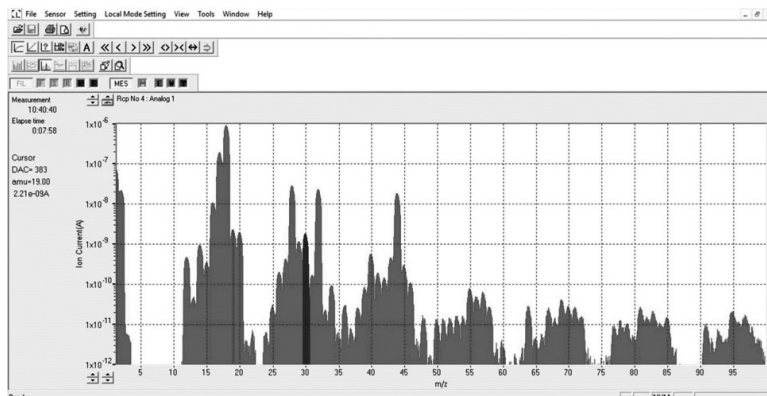
- Residual gas analysis in high vacuum pumping equipment
- Gas analysis in R&D, freeze drying, analytical systems and many more
- Analysis of organic materials
- Environmental tracking
- Gas impurity analysis

LEYSPEC ultra

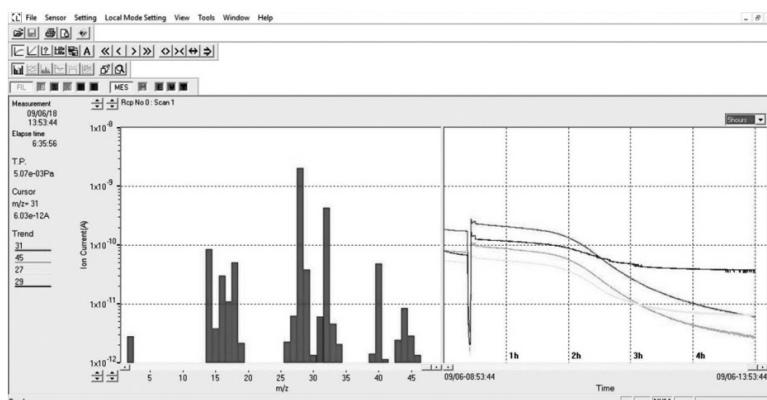
- Advanced range for all residual gas analysis
- For sophisticated residual gas analysis with higher sensitivity
- Reliable detection of very low partial pressures
- Suited for higher bake-out temperatures



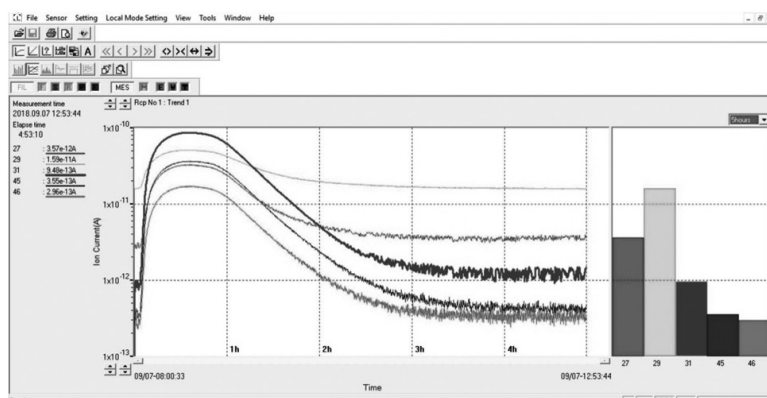
Analog mode



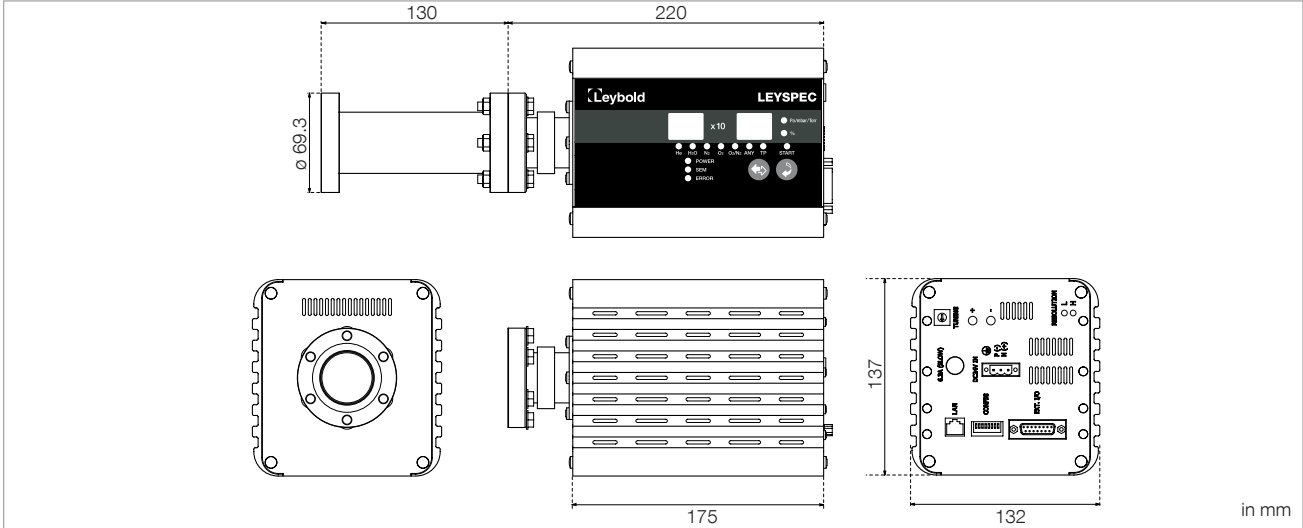
Analog mode hydrocarbons



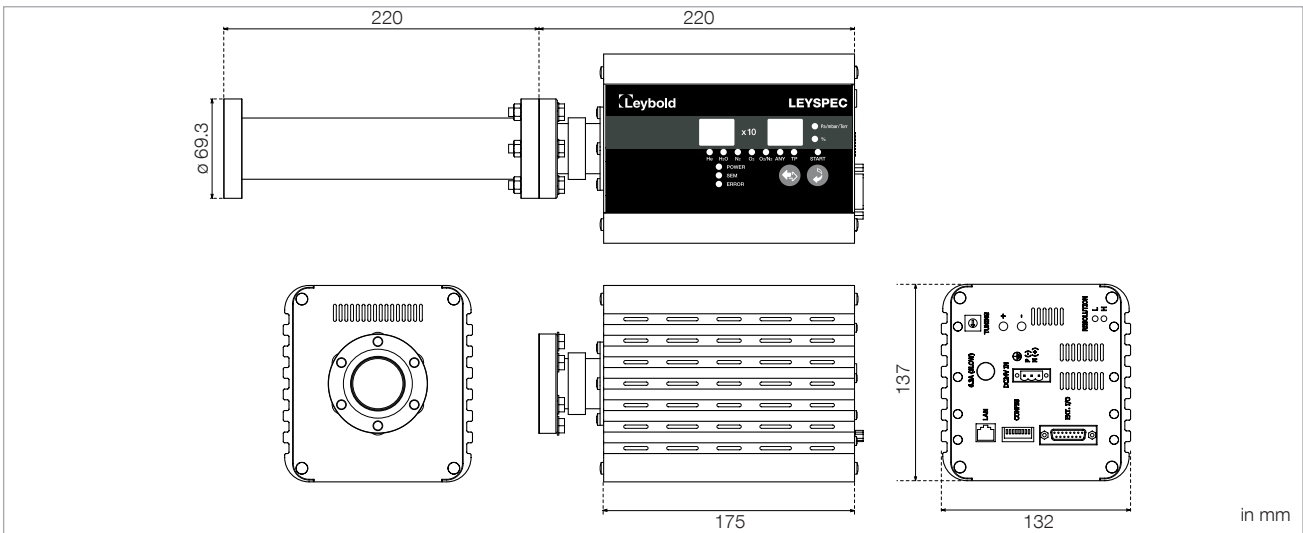
Scan and trend mode



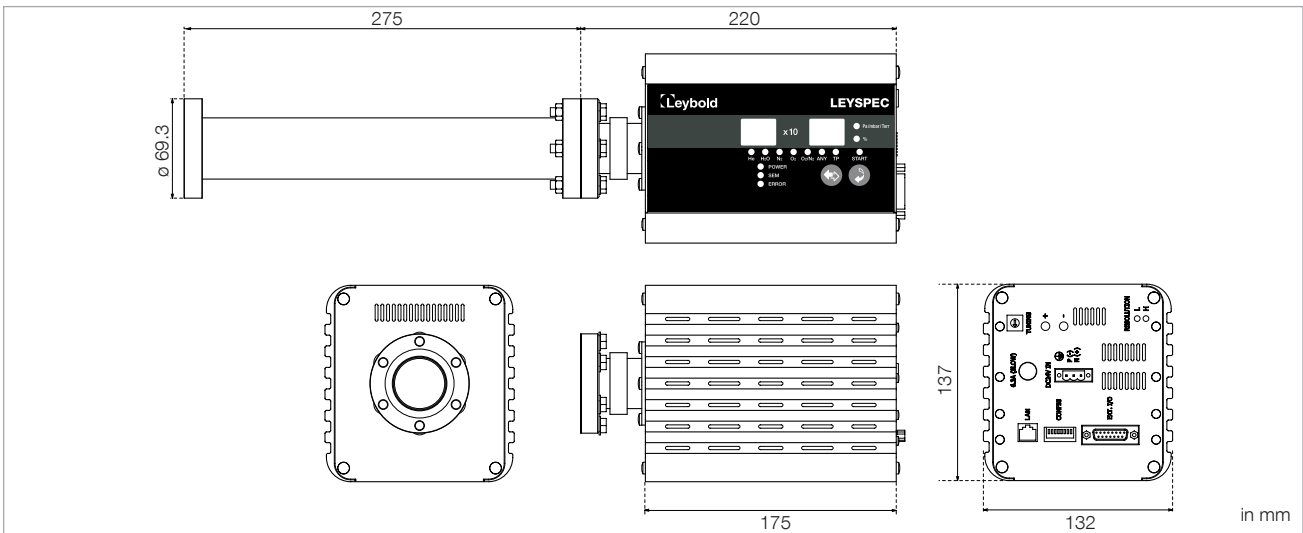
Trend mode



Dimensional drawing for LEYSPEC view 100 / 200



Dimensional drawing for LEYSPEC view 100S / 200S



Dimensional drawing for LEYSPEC ultra 200S / 300S

Technical Data

LEYSPEC

[view 100](#) [view 100S](#) [view 200](#) [view 200S](#) [ultra 200S](#) [ultra 300S](#)

Mass range	amu	1 - 100	1 - 100	1 - 200	1 - 200	1 - 200	1 - 300
Mass filter type		QMS					
Detector type		Faraday cup	EM / Faraday cup	Faraday cup	EM / Faraday cup	EM / Faraday cup	EM / Faraday cup
Sensitivity	A / mbar	1 x 10 ⁻⁵	400/1 x 10 ⁻⁵	1 x 10 ⁻⁵	400/1 x 10 ⁻⁵	400/2.5 x 10 ⁻⁴	400/2.5 x 10 ⁻⁴
Minimum detectable partial pressure	mbar	1 x 10 ⁻¹⁰	1 x 10 ⁻¹⁴ / 1 x 10 ⁻¹⁰	1 x 10 ⁻¹⁰	1 x 10 ⁻¹⁴ / 1 x 10 ⁻¹⁰	1 x 10 ⁻¹⁵ / 1 x 10 ⁻¹¹	1 x 10 ⁻¹⁵ / 1 x 10 ⁻¹¹
Maximum operating pressure	mbar	1 x 10 ⁻⁴					
Filament material		Ir/Y203					
Operating temperatur	°C	10 - 40					
Maximum sensing temperature	°C	120	120	120	120	250	250
Maximum bake out temperature (electronics removed)	°C	250	250	250	250	300	300
Connection flange		DN 40 CF					
Power input		DC 24 V ± 10% 50 W					
Weight	kg	2.6	2.8	2.6	2.8	3.2	3.2
IP		30					
Serial communication		RS232C / RS485					
Software		LEYSPEC software					
Resolution		M / DeltaM = 1M(10%PH)					

Ordering Information

LEYSPEC

[view 100](#) [view 100S](#) [view 200](#) [view 200S](#) [ultra 200S](#) [ultra 300S](#)

	Part No.	Part No.	Part No.	Part No.	Part No.	Part No.
LEYSPEC	220010V01	220011V01	220012V01	220013V01	220020V01	220021V01

Sales and Service

Germany

Leybold GmbH
Bonner Strasse 498
D-50968 Cologne
T: +49-(0)221-347 1234
F: +49-(0)221-347 31234
sales@leybold.com
www.leybold.com

**Leybold GmbH
Sales Area North**
Branch Office Berlin
Industriestrasse 10b
D-12099 Berlin
T: +49-(0)30-435 609 0
F: +49-(0)30-435 609 10
sales.bn@leybold.com

**Leybold GmbH
Sales Office South**
Branch Office Munich
Karl-Hammerschmidt-Strasse 34
D-85609 Aschheim-Dornach
T: +49-(0)89-357 33 9-10
F: +49-(0)89-357 33 9-33
sales.mn@leybold.com
service.mn@leybold.com

**Leybold Dresden GmbH
Service Competence Center**
Zur Wetterwarte 50, Haus 304
D-01109 Dresden
Service:
T: +49-(0)351-88 55 00
F: +49-(0)351-88 55 041
info.dr@leybold.com

Europe

Belgium

**Leybold Nederland B.V.
Belgisch bijkantoor**
Leuvensesteenweg 542
B-1930 Zaventem
Sales:
T: +32-2-711 00 83
F: +32-2-720 83 38
sales.zv@leybold.com
Service:
T: +32-2-711 00 82
F: +32-2-720 83 38
service.zv@leybold.com

France

Leybold France S.A.S.
Parc du Technopolis, Bâtiment Beta
3, Avenue du Canada
F-91940 Les Ulis cedex
Sales and Service:
T: +33-1-69 82 48 00
F: +33-1-69 07 57 38
sales.or@leybold.com
orsay.sav@leybold.com

Leybold France S.A.S.
Valence Factory
640, Rue A. Bergès
B.P. 107
F-26501 Bourg-lès-Valence Cedex
T: +33-4-75 82 33 00
F: +33-4-75 82 92 69
marketing.vc@leybold.com

Great Britain

Leybold UK LTD.
Unit 9
Silverglade Business Park
Leatherhead Road
Chessington
Surrey (London)
KT9 2QL
Sales:
T: +44-13-7273 7300
F: +44-13-7273 7301
sales.ln@leybold.com
Service:
T: +44-13-7273 7320
F: +44-13-7273 7303
service.ln@leybold.com

Italy

Leybold Italia S.r.l.
Via Filippo Brunelleschi 2
I-20093 Cologno Monzese
Sales:
T: +39-02-27 22 31
F: +39-02-27 20 96 41
sales.mi@leybold.com
Service:
T: +39-02-27 22 31
F: +39-02-27 22 32 17
service.mi@leybold.com

Netherlands

Leybold Nederland B.V.
Floridadreef 102
NL-3565 AM Utrecht
Sales and Service:
T: +31-(30) 242 63 30
F: +31-(30) 242 63 31
sales.ut@leybold.com
service.ut@leybold.com

Russia

Leybold Russia
Vashutinskoe Road 15,
Khimki, Moscow region,
141402
Russia
T: +7 495 933 55 50
LeyboldRussia@leybold.com

Switzerland

Leybold Schweiz AG
Hinterbergstrasse 56
CH-6312 Steinhausen
Warehouse and shipping address:
Riedthofstrasse 214
CH-8105 Regensdorf
Sales:
T: +41-44-308 40 50
F: +41-44-308 40 60
sales.zh@leybold.com
Service:
T: +41-44-308 40 62
F: +41-44-308 40 60
service.zh@leybold.com

Spain

Leybold Hispánica, S.A.
C/. Huelva, 7
E-08940 Cornellá de Llobregat
(Barcelona)
Sales:
T: +34-93-666 43 11
F: +34-93-666 43 70
sales.ba@leybold.com
Service:
T: +34-93-666 46 11
F: +34-93-685 43 70
service.ba@leybold.com

Leybold GmbH

Bonner Strasse 498
D-50968 Cologne
T: +49-(0)221-347-0
F: +49-(0)221-347-1250
info@leybold.com

America

USA

Leybold USA Inc.
6005 Enterprise Drive
Export, PA 15632
USA
Sales and Service:
T: +1-800-764-5369
F: +1-800-325-4353
F: +1-800-215-7782
sales.ex@leybold.com
service.ex@leybold.com

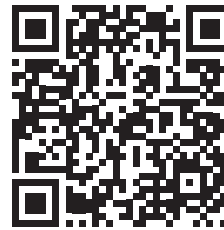
Brazil

Leybold do Brasil Ltda.
Av. Tamboré, 937, Tamboré
Distrito Industrial
CEP 06460-000 Barueri - SP
Sales und Service:
T: +55 11 3376 4604
info.ju@leybold.com

Asia

P. R. China

**Leybold (Tianjin)
International Trade Co. Ltd.**
Beichen Economic
Development Area (BEDA),
No. 8 Western Shuangchen Road
Tianjin 300400
China
Sales and Service:
T: +86-400 038 8989
T: +86-800 818 0033
F: +86-22-2697 4061
F: +86-22-2697 2017
sales.tj@leybold.com
service.tj@leybold.com



India

Leybold India Pvt Ltd.
T-97/2, MIDC Bhosari
Pune-411 026
Indien
Sales and Service:
T: +91-80-2783 9925
F: +91-80-2783 9926
sales.bgl@leybold.com
service.bgl@leybold.com

Japan

Leybold Japan Co., Ltd.
Shin-Yokohama A.K.Bldg., 4th floor
3-23-3, Shin-Yokohama
Kohoku-ku, Yokohama-shi
Kanagawa-ken 222-0033
Japan
Sales:
T: +81-45-471-3330
F: +81-45-471-3323
sales.yh@leybold.com

Malaysia

**Leybold Malaysia
Leybold Singapore Pte Ltd.**
No. 1 Jalan Hi-Tech 2/6
Kulim Hi-Tech Park
Kulim, Kedah Darul
Aman 09090
Malaysia
Sales and Service:
T: +604 4020 222
F: +604 4020 221
sales.ku@leybold.com
service.ku@leybold.com

South Korea

Leybold Korea Ltd.
25, Hwangsaeul-ro 258 beon-gil,
undang-gu, Seongnam-si,
Gyeonggi-do,
(7F Sunae Finance Tower)
13595 Bundang
Sales:
T: +82-31 785 1367
F: +82-31 785 1359
sales.bd@leybold.com
Service:
T: +82-41 589 3035
F: +82-41 588 0166
service.cn@leybold.com

Singapore

Leybold Singapore Pte Ltd.
42 Loyang Drive
Loyang Industrial Estate
Singapore 508962
Singapore
Sales and Service:
T: +65-6303 7030
F: +65-6773 0039
info.sg@leybold.com

Taiwan

Leybold Taiwan Ltd.
10F., No. 32, Chenggong 12th St.,
Zhubei City, Hsinchu County 302
Taiwan, R.O.C.
Sales and Service:
T: +886-3-500 1688
F: +886-3-550 6523
info.hc@leybold.com

